

INTEX® OWNER'S MANUAL

Side Table for UltraLuxe Pools

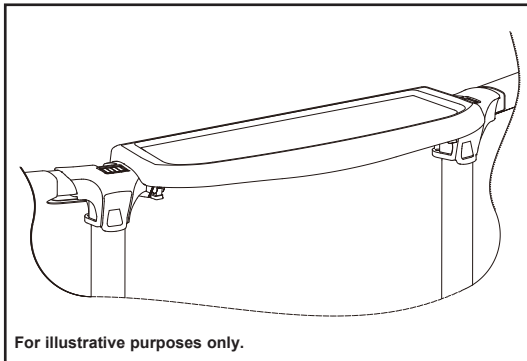
IMPORTANT SAFETY RULES

Read, Understand and Follow All Instructions Carefully Before Installing and Using this Product.

⚠ WARNING

- POOL AND POOL ACCESSORIES ARE TO BE ASSEMBLED AND DISASSEMBLED BY ADULTS ONLY.
- USE ONLY UNDER COMPETENT SUPERVISION.
- WHEN NOT IN USE FOR AN EXTENDED PERIOD, REMOVE THE PRODUCT FROM THE POOL AND STORE IT IN A SAFE PLACE INDOORS.
- YOU MUST FIRST SET UP AND FILL THE POOL WITH WATER FOLLOWING THE POOL OWNER'S MANUAL BEFORE INSTALLING.
- DO NOT CLIMB, HANG, PULL, PUSH OR GRAB ANY PART OF THE PRODUCT. THE PRODUCT IS NOT DESIGNED TO SUPPORT USER BODY WEIGHT.
- REMOVE THE PRODUCT BEFORE PLACING A POOL COVER OVER THE POOL.
- MAXIMUM LOAD CAPACITY: 50 KG (110 LB). DO NOT EXCEED THE MAXIMUM LOAD CAPACITY.
- AVOID PLACING ELECTRONIC DEVICES ON THE PRODUCT, AS THEY MAY ACCIDENTALLY FALL INTO THE WATER.
- FOLLOW THESE RULES TO AVOID SERIOUS INJURY OR PROPERTY DAMAGE.

ALWAYS FOLLOW ALL SAFETY RULES. CARELESSNESS, OR LACK OF ATTENTION, CAN HAVE SERIOUS CONSEQUENCES, SUCH AS PARALYSIS OR OTHER PERMANENT INJURIES.



Due to a policy of continuous product improvement, Intex reserves the right to change specifications and appearance, which may result in updates to the instruction manual, without notice.

©2025 Intex Marketing Ltd. - Intex Development Co. Ltd. - Intex Recreation Corp. All rights reserved/Tous droits réservés/Todos los derechos reservados/Alle Rechte vorbehalten. Printed in China/Imprimé en Chine/Impreso en China/Gedruckt in China.

®™ Trademarks used in some countries of the world under license from®™ Marques utilisées dans certains pays sous licence de/Marcas registradas utilizadas en algunos países del mundo bajo licencia de/Warenzeichen verwendet in einigen Ländern der Welt in Lizenz von/Intex Marketing Ltd. to/à/a/an Intex Development Co. Ltd., Hong Kong & Intex Recreation Corp., P.O. Box 1440, Long Beach, CA 90801 • Distributed in the European Union by/ Distribué dans l'Union Européenne par/Distribuido en la unión Europea por/Vertrieb in der Europäischen Union durch/Intex Trading B.V., Ettenseweg 46, 4706 PB Roosendaal - The Netherlands • Distributed in the UK by Unitex Service (UK) Limited, 124 City Road, London, England, EC1V 2NX, UK.

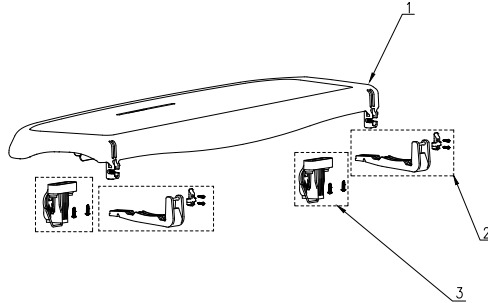
www.intexcorp.com

INTEX®

SAVE THESE INSTRUCTIONS

PARTS REFERENCES

Before assembling your product, please take a few minutes to check the contents and become familiar with all the parts.



REF. NO.	DESCRIPTION	QTY.	SPARE PARTS NO.
1	SIDE TABLE	1	13614
2	HINGED ARM (PREINSTALLED IN #1)	2	13660
3	LATCH (PREINSTALLED IN #1)	2	13661

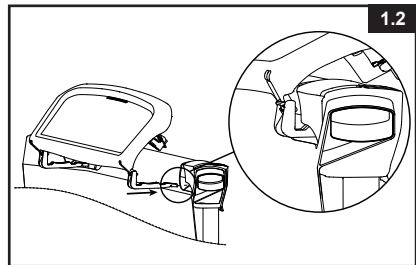
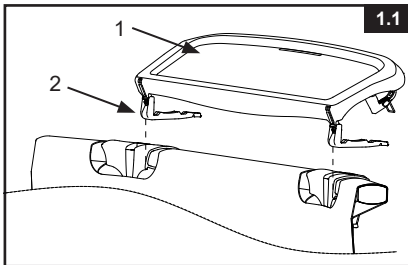
NOTE: Drawings for illustration purpose only. Actual product may vary. Not to scale.

SIDE TABLE SETUP

For UltraLuxe round pools 16', 18', 20' & 24' (4.88m, 5.49m, 6.10m & 7.32m) only.

- Set up the pool and fill it with water before installing the side table. Open the latches and place the side table on top of a horizontal beam between two T-joints. Insert the hinged arms through the pool liner T-joint opening. Ensure the side table is centered and the straight side is facing the water (**see drawing 1.1 & 1.2**).

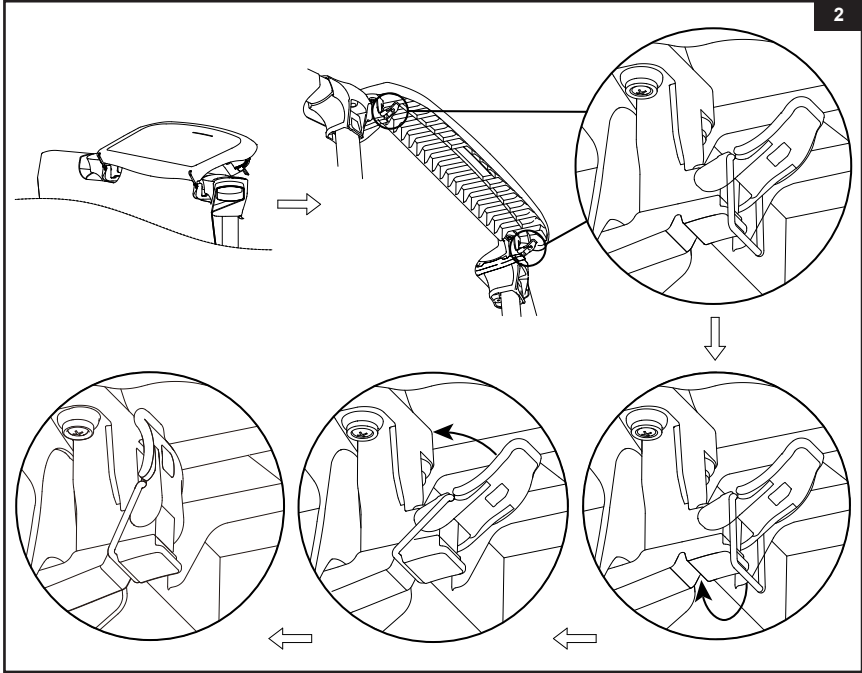
NOTE: For easy installation, insert both hinged arms at the same time. Place the side table away from the inlet and outlet fittings.



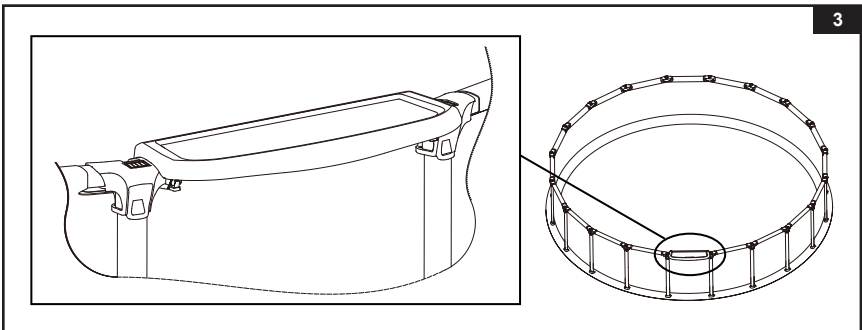
SAVE THESE INSTRUCTIONS

SIDE TABLE SETUP (continued)

2. Close the latches. Ensure the latches are securely locked (see drawing 2).



3. Assembly complete (see drawing 3).



SAVE THESE INSTRUCTIONS

LIMITED WARRANTY

Your Side Table has been manufactured using the highest quality materials and workmanship. All Intex products have been inspected and found free of defects prior to leaving the factory. This Limited Warranty applies only to the Side Table.

This limited warranty is in addition to, and not a substitute for, your legal rights and remedies. To the extent that this warranty is inconsistent with any of your legal rights, they take priority. For example, consumer laws across the European Union provide statutory warranty rights in addition to the coverage you receive from this limited warranty: for information on EU-wide consumer laws, please visit the European Consumer Center website at http://ec.europa.eu/consumers/ecc/contact_en/htm.

The provisions of this Limited Warranty apply only to the original purchaser and are not transferable. This Limited Warranty is valid for a period of 180 days from the latter of the date of the initial retail purchase or delivery. Keep your original sales receipt with this document, as proof of purchase will be required and must accompany warranty claims or the Limited Warranty will be invalid.

If you find a manufacturing defect in the Side Table during the warranty period, please contact the appropriate Intex Service Center listed in the separate "Authorized Service Centers" sheet. If the item is returned as directed by the Intex Service Center, the Service Center will inspect the item and determine the validity of the claim. If the item is covered by the provisions of the warranty, the item will be repaired or replaced, with the same or comparable item (at Intex's choice) at no charge to you.

Other than this warranty, and other legal rights in your country, no further warranties are implied. To the extent possibly in your country, in no event shall Intex be liable to you or any third party for direct or consequential damages arising out of the use of your Side Table, or Intex or its agents' and employees' actions (including the manufacture of the product). If your country does not allow the exclusion or limitation of incidental or consequential damages, this limitation or exclusion does not apply to you.

You should note that this limited warranty does not apply in the following circumstances:

- If the Side Table is subject to negligence, abnormal use or application, accident, improper operation, improper voltage or current contrary to operating instructions, improper maintenance or storage;
- If the Side Table is subject to damage by circumstances beyond Intex's control, including but not limited to, ordinary wear and tear and damage caused by exposure to fire, flood, freezing, rain, or other external environmental forces;
- To parts and components not sold by Intex; and/or;
- To unauthorized alterations, repairs or disassembly to the Side Table by anyone other than Intex Service Center personnel.

Injury or damage to any property or person is not covered by this warranty.

Read the owner's manual carefully and follow all instructions regarding proper operation and maintenance of your Side Table. Always inspect your product prior to use. This limited warranty will be void if use instructions are not followed.

SAVE THESE INSTRUCTIONS