

INTEX® OWNER'S MANUAL

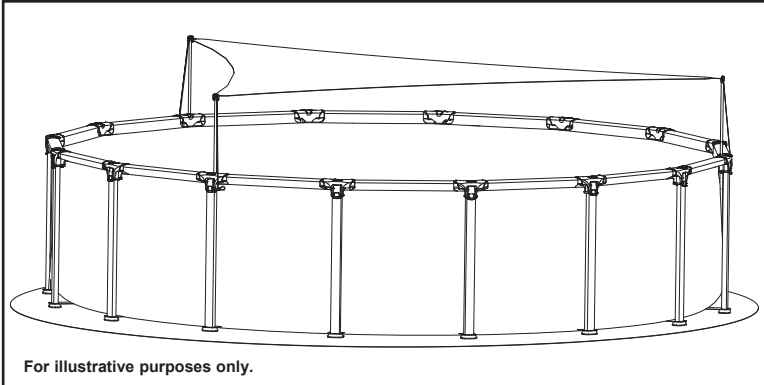
Triangle Sun Shade Sail

READ AND FOLLOW ALL INSTRUCTIONS BEFORE USING THIS PRODUCT

⚠ WARNING

- Assemble and disassemble by adults only from outside of the pool. Never attempt to remove the canopy while in the pool.
- Remove canopy and store properly when not in use or in the presence of strong winds, thunderstorms, heavy rain or snow.
- Never place items on top of canopy or exert excessive force onto the frame when in use.
- Always closely supervise children who are in or near the pool at all times.
- Check that all canopy connections are secure prior to entering the pool.
- This product is intended to be used only for the purposes described in the manual.

FAILURE TO FOLLOW THESE WARNINGS AND THE ASSEMBLY AND USE INSTRUCTIONS MAY RESULT IN SERIOUS INJURY, DROWNING OR PROPERTY DAMAGE.



For illustrative purposes only.

Due to a policy of continuous product improvement, Intex reserves the right to change specifications and appearance, which may result in updates to the instruction manual, without notice.

©2025 Intex Marketing Ltd. - Intex Development Co. Ltd. - Intex Recreation Corp. All rights reserved/Tous droits réservés/Todos los derechos reservados/Alle Rechte vorbehalten. Printed in China/imprimé en Chine/Impreso en China/Gedruckt in China.

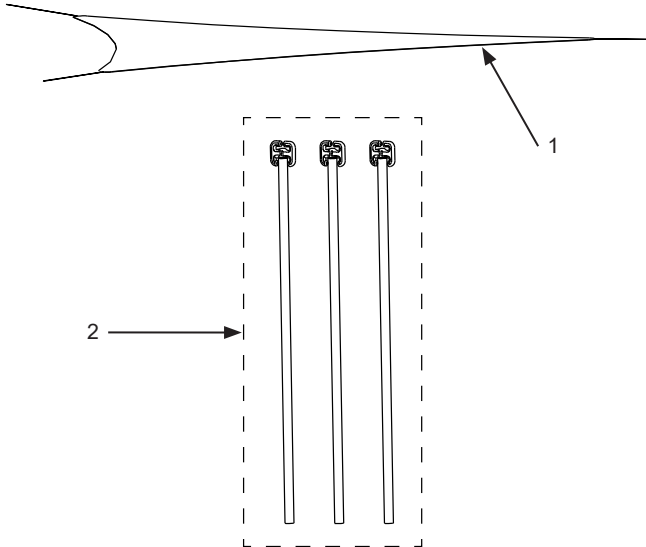
®™ Trademarks used in some countries of the world under license from/®™ Marques utilisées dans certains pays sous licence de/Marcas registradas utilizadas en algunos países del mundo bajo licencia de/Warenzeichen verwendet in einigen Ländern der Welt in Lizenz von/Intex Marketing Ltd. to/a/a/an Intex Development Co. Ltd., Hong Kong & Intex Recreation Corp., P.O. Box 1440, Long Beach, CA 90801 • Distributed in the European Union by/ Distribué dans l'Union Européenne par/Distribuido en la unión Europea por/Vertrieb in der Europäischen Union durch/Intex Trading B.V., Ettenseweg 46, 4706 PB Roosendaal - The Netherlands • Distributed in the UK by Unitex Service (UK) Limited, 124 City Road, London, England, EC1V 2NX, UK.
www.intexcorp.com

INTEX®

SAVE THESE INSTRUCTIONS

PARTS REFERENCES

Before assembling your product, please take a few minutes to check the contents and become familiar with all the parts.



REF. NO.	DESCRIPTION	QTY.	SPARE PARTS NO.
1	TRIANGLE SUN SHADE SAIL	1	13612
2	SUPPORT ROD	3	13620

NOTE: Drawings for illustration purpose only. Actual product may vary. Not to scale.

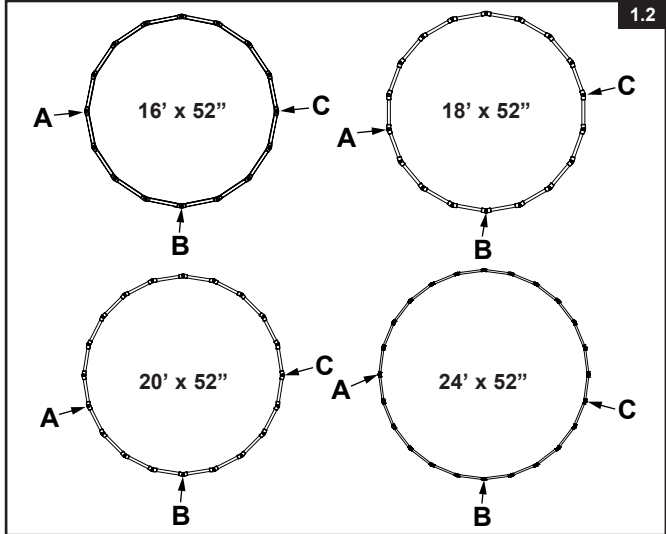
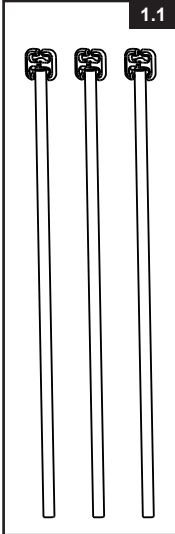
General

- For UltraLuxe round pools 16', 18', 20' & 24' (4.88m, 5.49m, 6.10m & 7.32m).
- Depending on the size of the pool, the canopy shades about half to one-third of the pool.
- Choose where you want to install the canopy. It's recommended to setup the canopy on the west side of the pool in order to block more of the afternoon sun.
- No tools are required for the assembly. Two people are needed to setup this product.
- Make sure the pool is setup and filled with water first.
- Never attempt to setup this product during strong winds, thunderstorms, heavy rain or snow.

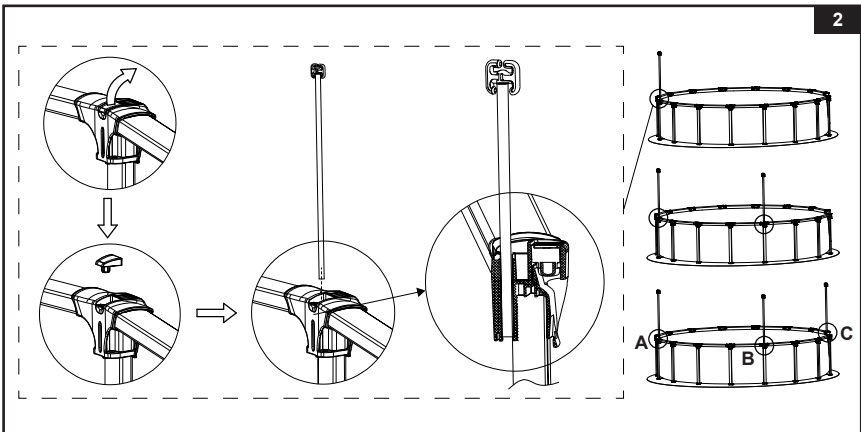
SAVE THESE INSTRUCTIONS

TRIANGLE SUN SHADE SAIL SETUP

1. Locate the support rods (2) (see drawing 1.1), and determine the installation points "A, B & C" according to the pool size by counting the number of T-joints (see drawing 1.2).



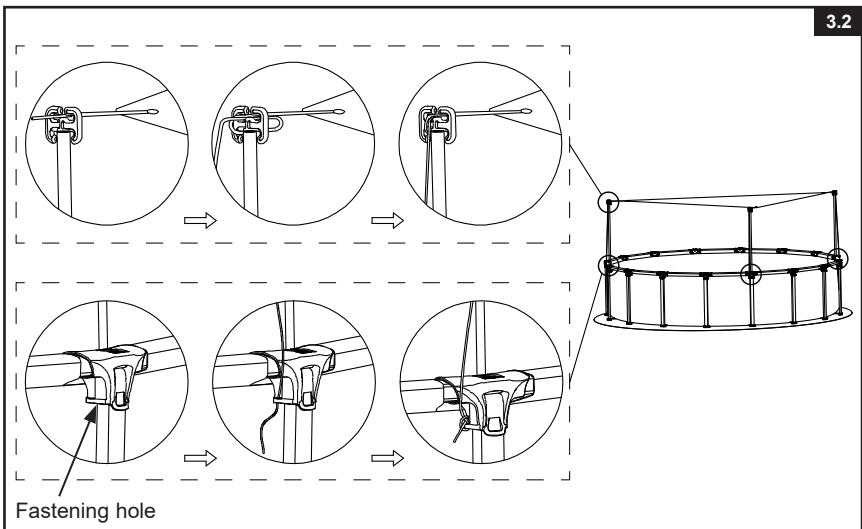
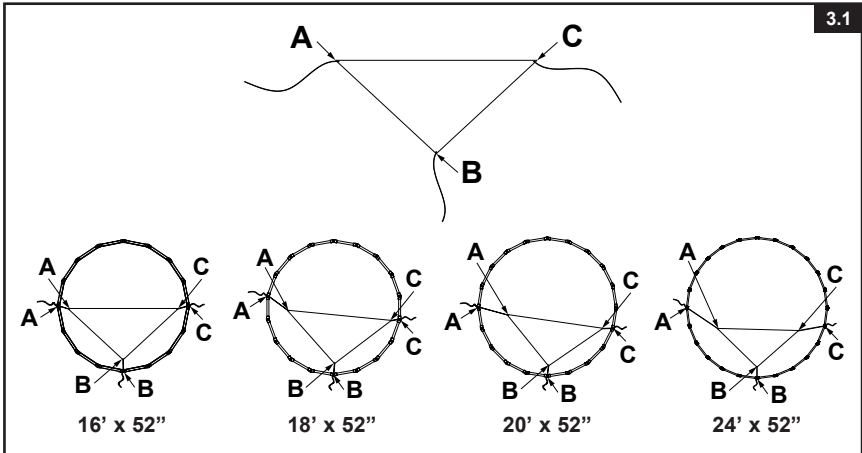
2. Identify the T-joints corresponding to the installation points "A, B & C", and remove the T-joint hole cover from the T-joints. Insert the support rod (2) into the T-joint hole (see drawing 2). Repeat this step for the other support rods and T-joints.



SAVE THESE INSTRUCTIONS

TRIANGLE SUN SHADE SAIL SETUP (continued)

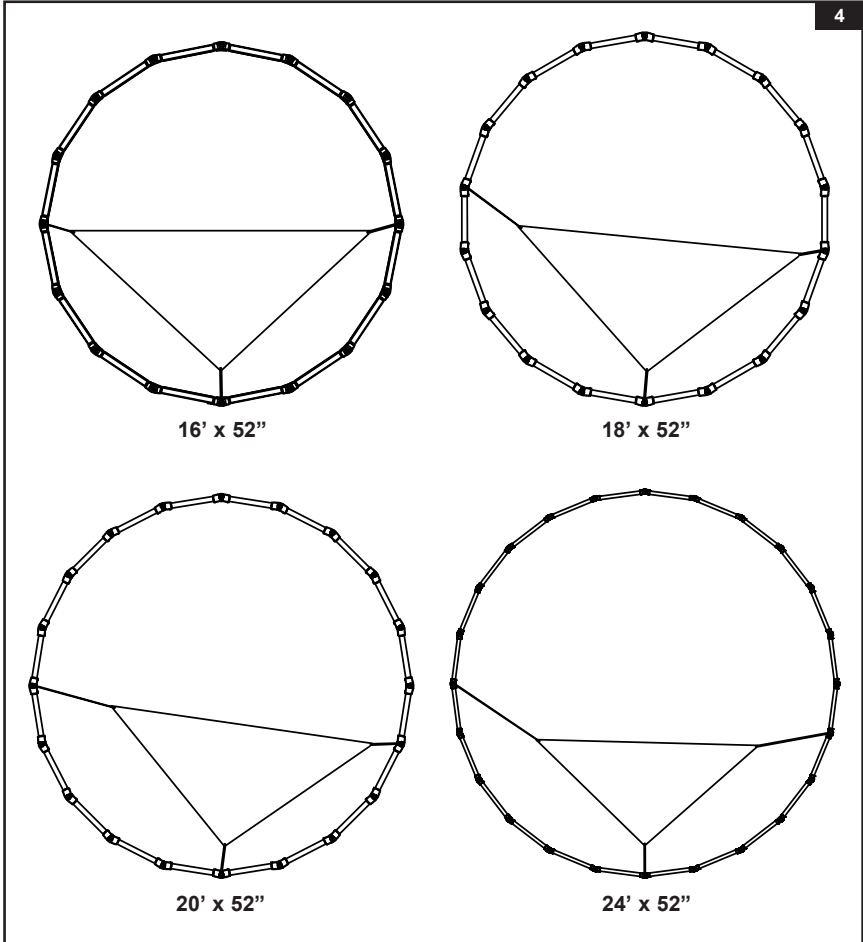
3. Spread out the triangle sun shade sail (1) and align the tip of the triangle sun shade sail to each support rod (2) (see drawing 3.1). Wrap one of the ropes around the top of the support rod "hook" and fasten the end of the rope to the fastening hole located at the bottom of the T-joint. Adjust the length of rope to be the same length on all three points (see drawing 3.2). Repeat this step for the other support rods.



SAVE THESE INSTRUCTIONS

TRIANGLE SUN SHADE SAIL SETUP (continued)

4. Assembly complete (see drawing 4).



SAVE THESE INSTRUCTIONS

Limited Warranty

Your Triangle Sun Shade Sail has been manufactured using the highest quality materials and workmanship. All Intex products have been inspected and found free of defects prior to leaving the factory. This Limited Warranty applies to the Triangle Sun Shade Sail only.

This limited warranty is in addition to, and not a substitute for, your legal rights and remedies. To the extent that this warranty is inconsistent with any of your legal rights, they take priority. For example, consumer laws across the European Union provide statutory warranty rights in addition to the coverage you receive from this limited warranty: for information on EU-wide consumer laws, please visit the European Consumer Center website at http://ec.europa.eu/consumers/ecc/contact_en/htm.

The provisions of this Limited Warranty apply only to the original purchaser and are not transferable. This Limited Warranty is valid for the period noted below from the latter of the date of the initial retail purchase or delivery. Keep your original sales receipt with this document, as proof of purchase will be required and must accompany warranty claims or the Limited Warranty will be invalid.

Triangle Sun Shade Sail Warranty - 180 days

If you find a manufacturing defect in the Triangle Sun Shade Sail during the warranty period, please contact the appropriate Intex Service Center listed in the separate "Authorized Service Centers" sheet. If the item is returned as directed by the Intex Service Center, the Service Center will inspect the item and determine the validity of the claim. If the item is covered by the provisions of the warranty, the item will be repaired or replaced, with the same or comparable item (at Intex's choice) at no charge to you.

Other than this warranty, and other legal rights in your country, no further warranties are implied. To the extent possibly in your country, in no event shall Intex be liable to you or any third party for direct or consequential damages arising out of the use of your Triangle Sun Shade Sail, or Intex or its agents' and employees' actions (including the manufacture of the product). If your country does not allow the exclusion or limitation of incidental or consequential damages, this limitation or exclusion does not apply to you.

You should note that this limited warranty does not apply in the following circumstances:

- If the Triangle Sun Shade Sail is subject to negligence, abnormal use or application, accident, improper operation, improper maintenance or storage;
- If the Triangle Sun Shade Sail is subject to damage by circumstances beyond Intex's control, including but not limited to, punctures, tears, abrasions, ordinary wear and tear and damage caused by exposure to fire, flood, freezing, rain, or other external environmental forces;
- To parts and components not sold by Intex; and/or
- To unauthorized alterations, repairs or disassembly to the Triangle Sun Shade Sail by anyone other than Intex Service Center personnel.

Read the owner's manual carefully and follow all instructions regarding proper operation and maintenance of your Triangle Sun Shade Sail. Always inspect your product prior to use. This limited warranty will be void if use instructions are not followed.

SAVE THESE INSTRUCTIONS